

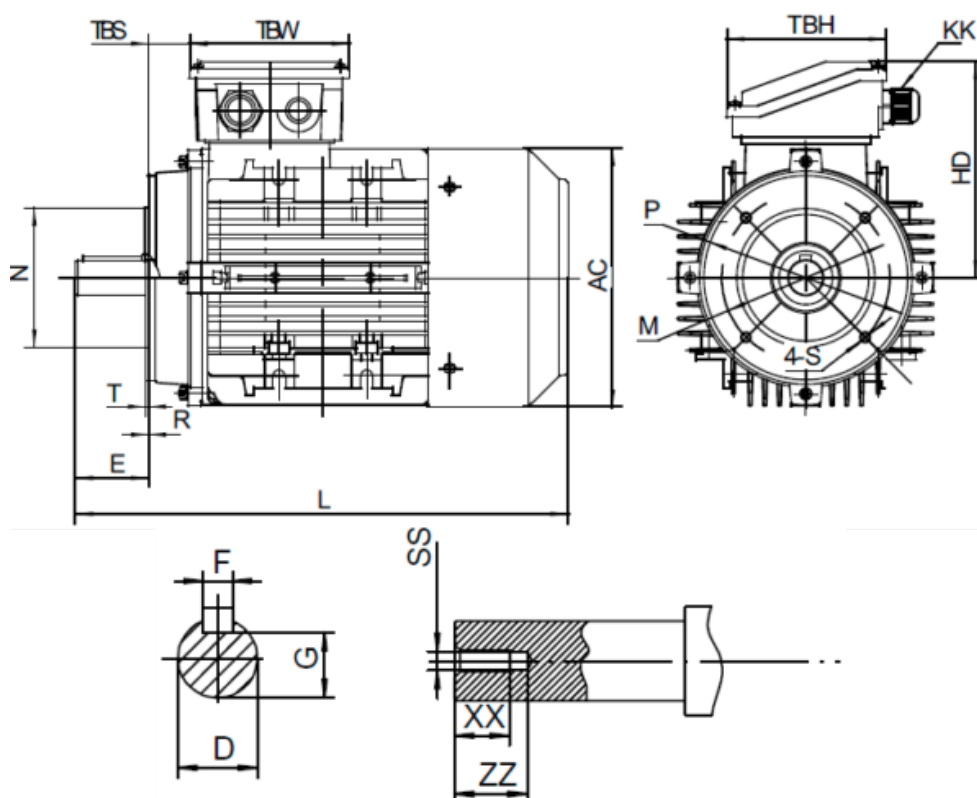
# Data Sheet



Article number: 25180015021540

Description: Kleedrive T3A 90S-2 1.5kw 2800 rpm UL/CSA  
3x230/400V 50 HZ IP55 B14 Eff=84,2%

## Measures



AA = 176	L = 313/338	TBH = 109
AC = Ø177	M = Ø115	TBS = 28.5
AD = 235	N = Ø95	TBW = 109
D = Ø24	P = Ø140	XX = 19
E = 50	R = 0	ZZ = 25
F = 8	S = M8	
G = 20	SS = M8	
HD = 145	T = 3	